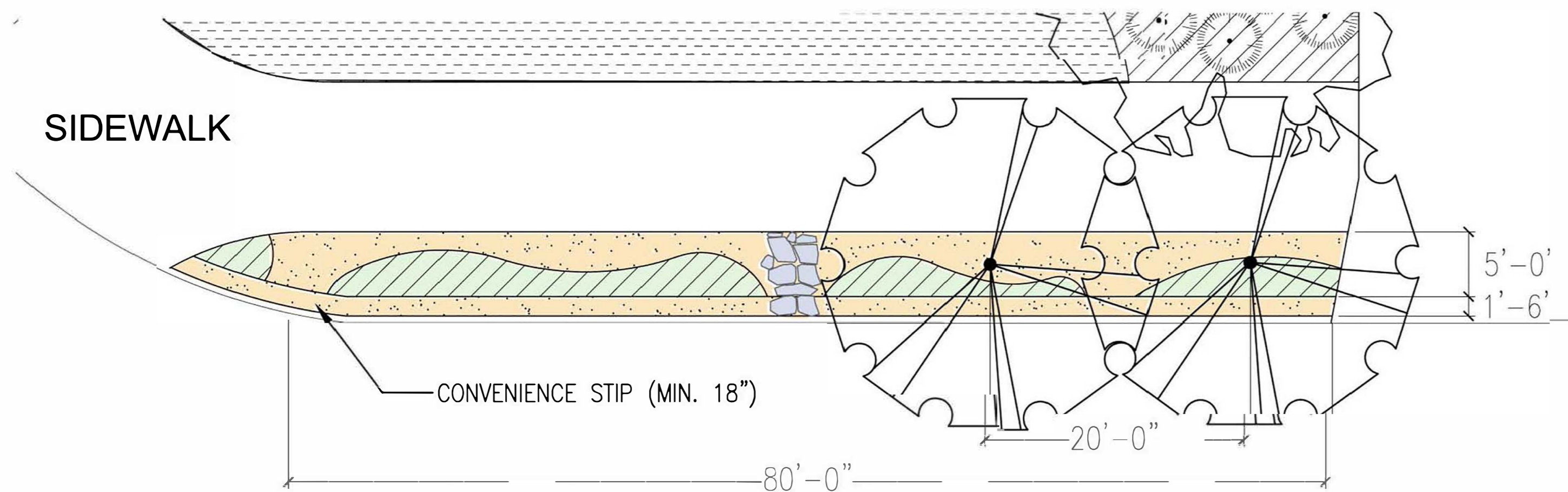
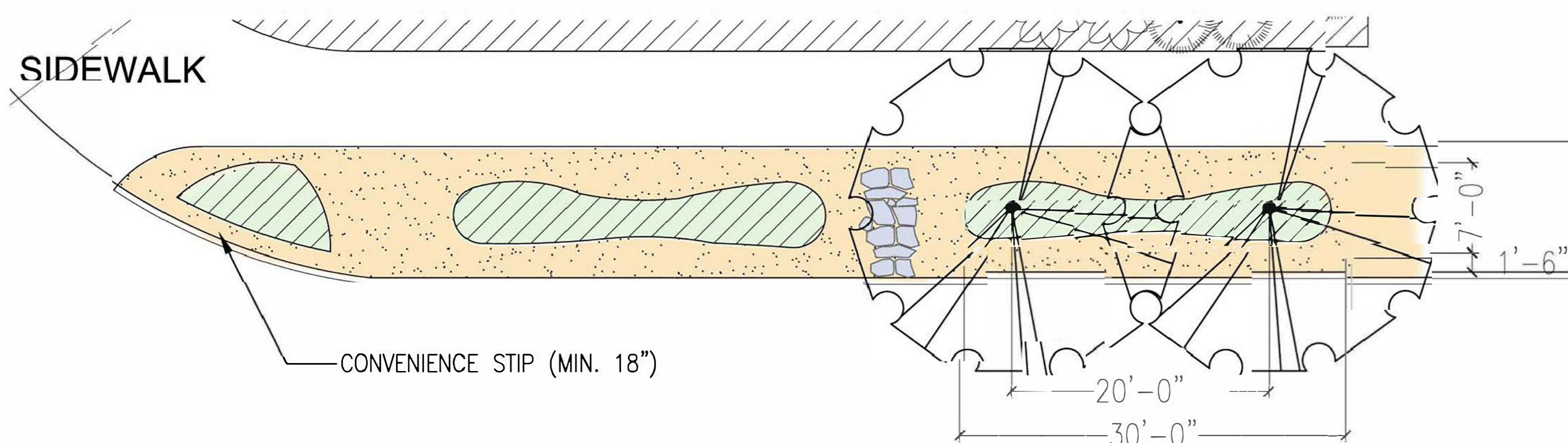


# WATER EFFICIENT LANDSCAPE CONCEPTS

## ALTERNATIVE PARKWAY DESIGNS







**PARKWAY PLANTING - ALTERNATIVE 1 (TYPICAL): 80'x5'**  
TREE SPACING: 20' O.C.



**PARKWAY PLANTING- ALTERNATIVE 2 (TYPICAL): 30'x7'**  
TREE SPACING: 20' O.C.

PLANTING LEGEND: PARKWAYS

SYMBOL	KEY	BOTANICAL NAME	BOTANICAL NAME	SETBACK	WATER	EXPOSURE	SIZE	COUNT	REMARKS
<b>TREES</b>									
	PIS	PISTACIA CHINENSIS	CHINESE PISTACHE	20' O.C.	L	24" BOX	15 GAL	4	CITY TO DETERMINE SPECIES.
<b>GROUNDCOVER</b>									
	MYO	MYOPORUM PARVIFOLIUM 'PINK'	PINK AUSTRALIAN RACER	8' O.C.	L	FULL SUN	1 GAL	3	PLANT @ 8' O.C.
		DECOMPOSED GRANITE						380 SF	
		PERMEABLE PAVING							

ALTERNATIVE 1 -80'x5' : TOTAL LANDSCAPED AREA: 555 SF

ALTERNATIVE 2-30'x7' : TOTAL LANDSCAPED AREA: 900 SF

WATER REQUIREMENT: VL=VERY LOW; L=LOW; M=MODERATE; H=HIGH

SB=SETBACK FT (CALTRANS)

O.C.=ON CENTER

\*\*CORRESPONDING QUANTITY SHOWN DENOTES INDIVIDUAL PLANT/PLUG.

**NOTES:**

IF YOUR PARKWAY IS LESS THAN 24 INCHES WIDE, THEN YOU MAY ONLY INSTALL STANDARD PARKWAY LANDSCAPING USING GRASS OR THE CITY'S APPROVED GROUNDCOVER. NO CITY APPROVAL IS REQUIRED FOR STANDARD PARKWAY LANDSCAPING.

IF YOUR PARKWAY IS 24 INCHES OR MORE IN WIDTH, YOU HAVE THE OPTION OF INSTALLING AN ALTERNATIVE PARKWAY LANDSCAPE DESIGN. THE TWO DESIGNS SHOWN MEET THE CITY'S ORDINANCE, HOWEVER ACTUAL DESIGNS WILL REQUIRE CITY APPROVAL.

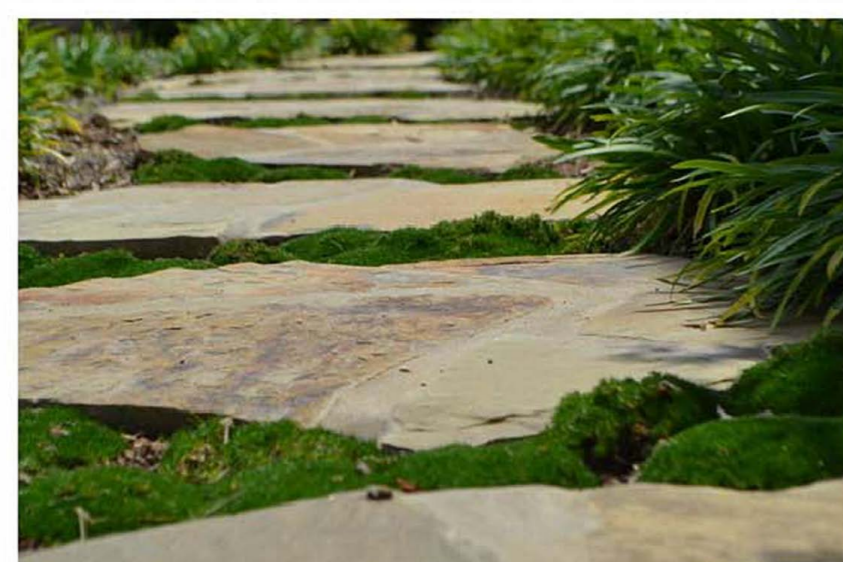
TREES ARE SHOWN HERE AS REFERENCE. BEFORE PREPARING TO IMPLEMENT A PARKWAY LANDSCAPE DESIGN, CONTACT THE PUBLIC SERVICES DEPARTMENT TO REQUEST TREE(S) FOR YOUR PARKWAY IF YOU HAVE NONE AND REQUEST THAT THE CITY SPOT WHERE NEW TREE(S) WILL BE PLANTED. TO AVOID DAMAGE TO NEW PLANTS AND IRRIGATION, IT IS STRONGLY RECOMMENDED THAT YOU DO NOT INSTALL NEW PLANTS OR IRRIGATION UNTIL THE TREE(S) HAVE BEEN PLANTED BY THE CITY.

**TREE:**



PISTACIA CHINENSIS  
CHINESE PISTACHE

**PERMEABLE PAVING:**



OLDCASTLE WALKWAY  
FLAGSTONE

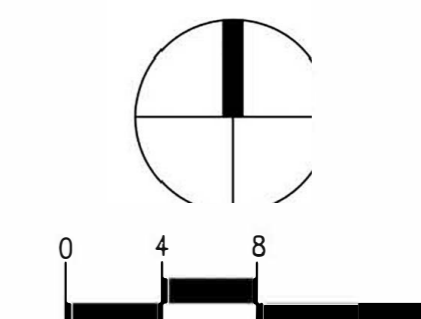


DECOMPOSED  
GRANITE

**GROUNDCOVER:**

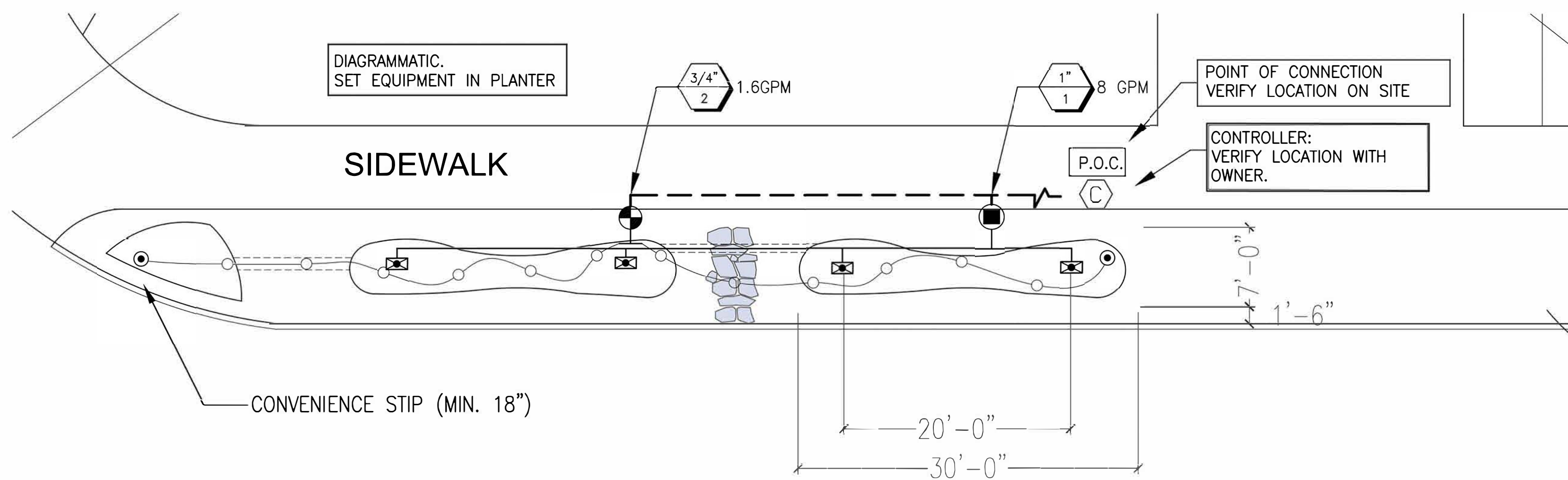


MYOPORUM PARVIFOLIUM 'PINK'  
PINK AUSTRALIAN RACER

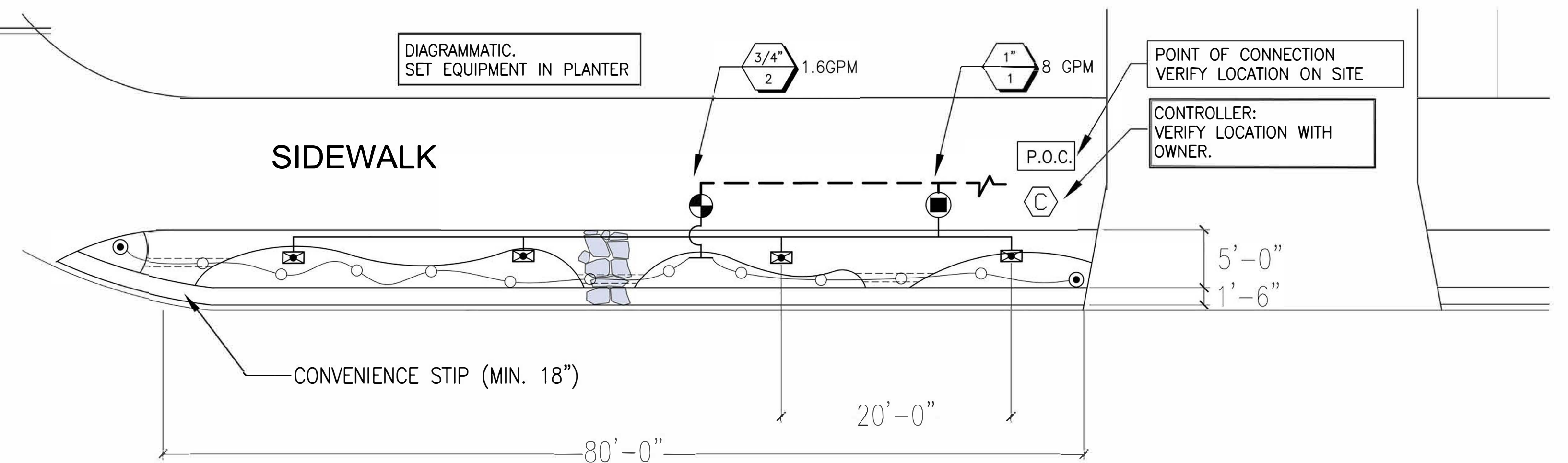


02/05/2016  
LAWRENCE R. MOSS ASLA  
& ASSOCIATES INC  
LIC. NO. 1201  
3458 OCEAN VIEW BLVD  
GLENDALE, CA 91208  
818 248-5200  
FAX 248-6574  
LANDSCAPE  
ARCHITECTURE





**PARKWAY PLANTING - ALTERNATIVE 1 (TYPICAL): 30'x7'**  
**TREE SPACING: 20' O.C.**



**PARKWAY PLANTING- ALTERNATIVE 2 (TYPICAL): 80'x5'**  
**TREE SPACING: 20' O.C.**

**IRRIGATION LEGEND— PARKWAYS**

DESCRIPTION	SYMBOL	REMARKS:
BUBBLER FOR TREES – TWO PER TREE TWO 0.5GPH DRIP EMITTER PER SHRUB TWO 1.0GPH DRIP EMITTER PER SHRUB		1 GPM (GALLON PER MINUTE)
ON-SURFACE DRIPLINE WITH IN-LINE EMITTER TUBING TO IRRIGATE SHRUBS AND GROUND COVER		INCONSPICUOUSLY SNAKE TUBING ALONG PLANTER TO EACH PLANT. 1 GPH (GALLON PER HOUR) TWO EMITTER PER PLANT.
DRIP LINE – FLUSH POINT		
LOW FLOW DRIP CONTROL ZONE KIT WITH ANTI-SIPHON VALVE FOR SHRUBS AND GROUND COVER IRRIGATION		
ANTI-SIPHON VALVE WITH FLOW CONTROL – FOR TREE IRRIGATION		
INDOOR OR OUTDOOR SMART CONTROLLER WITH WEATHER TECHNOLOGY		INDOOR OR OUTDOOR W/ WEATHER SMART TECHNOLOGY
EXISTING IRRIGATION MAINLINE		CONNECT TO EXISTING IRRIGATION MAINLINE
SLEEVING SCH. 40 P.V.C.		
NON-PRESSURE LINE SCH. 40 P.V.C.		
PRESSURE LINE sch 40 P.V.C.		
POINT OF CONNECTION		P.O.C. POINT OF CONNECTION—VERIFY LOCATION ON SITE

**NOTE:**

A BUILDING PERMIT IS REQUIRED FOR THE INSTALLATION OF NEW IRRIGATION VALVES OR SPRINKLERS. IF WIRING IS NEEDED FOR THE IRRIGATION CONTROLLER, AN ELECTRICAL PERMIT IS ALSO REQUIRED. FOR MORE INFORMATION CONTACT THE CITY'S BUILDING AND SAFETY DIVISION AT (562)929-5733.

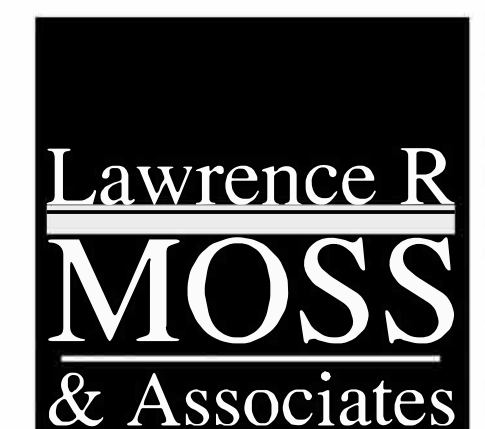
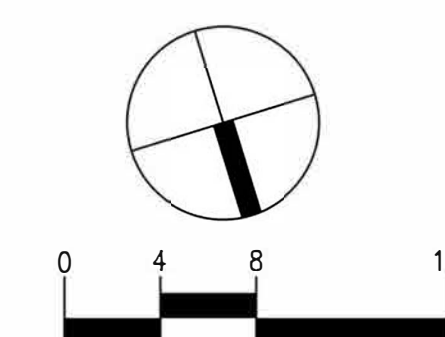
THIS DESIGN IS DIAGRAMMATIC. ALL PIPING, VALVES AND OTHER EQUIPMENT SHOWN WITHIN PAVED AREAS ARE FOR DESIGN CLARIFICATION ONLY AND SHALL BE INSTALLED IN PLANTING AREAS WHERE POSSIBLE. NEVER INSTALL IRRIGATION OUTSIDE THE PROPERTY LINE. CONTRACTOR SHALL VERIFY LOCATION OF ALL ABOVE GRADE IRRIGATION EQUIPMENT WITH THE OWNER'S AUTHORIZED REPRESENTATIVE PRIOR TO INSTALLATION.

**SCHEDULE 40 PVC**

PIPE SIZE	MAX GPM
3/4"	7 GPM
1"	11 GPM
1-1/4"	20 GPM
1-1/2"	29 GPM
2"	50 GPM
2-1/2"	75 GPM
3"	110 GPM
4"	190 GPM
6"	450 GPM



**ALTERNATIVE PARKWAYS  
 IRRIGATION DESIGN**



02/08/2016  
 LAWRENCE R. MOSS ASLA  
 & ASSOCIATES INC  
 LIC. NO. 1201  
 3458 OCEAN VIEW BLVD  
 GLENDALE CA 91208  
 818 248-5200  
 FAX 248-6574  
 LANDSCAPE  
 ARCHITECTURE





# ALTERNATIVE PARKWAY WATERING SCHEDULE

IRRIGATION SCHEDULE FOR JULY: (use columns as applicable to the project)															
valve no.	valve size	flow (GPM)	irr. effcy. (IE)	irr. type	area (sq.ft.)	plant type	precip rate (in/min.)	plant factor (PF)	daily runtime (min.)	nos. of cycles per day	individ. runtimes (min.)	frequency per month	monthly runtime (min.)	total ETWU Gallons	
1	3/4"	1.6	0.90	subsurface	555	shrub	0.25	0.3	56	1	56	8	448.0	642.3	
2	1"	8	0.80	bubbler	100	tree	0.25	0.3	14	1	14	8	504.0	130.2	
Total Runtime per day									1.2	Hours	Total Montly ETWU				772.5
IRRIGATION SCHEDULE FOR AUGUST: (use columns as applicable to the project)															
valve no.	valve size	flow (GPM)	irr. effcy. (IE)	irr. type	area (sq.ft.)	plant type	precip rate (in/min.)	plant factor (PF)	daily runtime (min.)	nos. of cycles per day	individ. runtimes (min.)	frequency per month	monthly runtime (min.)	total ETWU Gallons	
1	3/4"	1.6	0.90	subsurface	555	shrub	0.25	0.3	53	1	53	8	424.0	607.9	
2	1"	8	0.80	bubbler	100	tree	0.25	0.3	14	1	14	8	477.0	123.2	
Total Runtime per day									1.1	Hours	Total Montly ETWU				731.1
IRRIGATION SCHEDULE FOR SEPTEMBER: (use columns as applicable to the project)															
valve no.	valve size	flow (GPM)	irr. effcy. (IE)	irr. type	area (sq.ft.)	plant type	precip rate (in/min.)	plant factor (PF)	daily runtime (min.)	nos. of cycles per day	individ. runtimes (min.)	frequency per month	monthly runtime (min.)	total ETWU Gallons	
1	3/4"	1.6	0.90	subsurface	555	shrub	0.25	0.3	45	1	45	8	360.0	516.2	
2	1"	8	0.80	bubbler	100	tree	0.25	0.3	14	1	14	8	405.0	104.6	
Total Runtime per day									1.0	Hours	Total Montly ETWU				620.8
IRRIGATION SCHEDULE FOR OCTOBER: (use columns as applicable to the project)															
valve no.	valve size	flow (GPM)	irr. effcy. (IE)	irr. type	area (sq.ft.)	plant type	precip rate (in/min.)	plant factor (PF)	daily runtime (min.)	nos. of cycles per day	individ. runtimes (min.)	frequency per month	monthly runtime (min.)	total ETWU Gallons	
1	3/4"	1.6	0.90	subsurface	555	shrub	0.25	0.3	35	1	35	8	280.0	401.5	
2	1"	8	0.80	bubbler	100	tree	0.25	0.3	14	1	14	8	315.0	81.4	
Total Runtime per day									0.8	Hours	Total Montly ETWU				482.8
IRRIGATION SCHEDULE FOR NOVEMBER: (use columns as applicable to the project)															
valve no.	valve size	flow (GPM)	irr. effcy. (IE)	irr. type	area (sq.ft.)	plant type	precip rate (in/min.)	plant factor (PF)	daily runtime (min.)	nos. of cycles per day	individ. runtimes (min.)	frequency per month	monthly runtime (min.)	total ETWU Gallons	
1	3/4"	1.6	0.90	subsurface	555	shrub	0.25	0.3	25	1	25	8	200.0	286.8	
2	1"	8	0.80	bubbler	100	tree	0.25	0.3	14	1	14	8	225.0	581.5	
Total Runtime per day									0.7	Hours	Total Montly ETWU				6099.3
IRRIGATION SCHEDULE FOR DECEMBER: (use columns as applicable to the project)															
valve no.	valve size	flow (GPM)	irr. effcy. (IE)	irr. type	area (sq.ft.)	plant type	precip rate (in/min.)	plant factor (PF)	daily runtime (min.)	nos. of cycles per day	individ. runtimes (min.)	frequency per month	monthly runtime (min.)	total ETWU Gallons	
1	3/4"	1.6	0.90	subsurface	555	shrub	0.25	0.3	21	1	21	8	168.0	240.9	
2	1"	8	0.80	bubbler	100	tree	0.25	0.3	14	1	14	8	189.0	48.8	
Total Runtime per day									0.6	Hours	Total Montly ETWU				289.7
IRRIGATION SCHEDULE FOR ANNUAL: (use columns as applicable to the project)															
valve no.	valve size	flow (GPM)	irr. effcy. (IE)	irr. type	area (sq.ft.)	plant type	precip rate (in/min.)	plant factor (PF)	daily runtime (min.)	nos. of cycles per day	individ. runtimes (min.)	frequency per month	monthly runtime (min.)	total ETWU Gallons	
1	3/4"	1.6	0.90	subsurface	555	shrub	0.25	0.3	456	1	456	8	3646.4	5228.0	
2	1"	8	0.80	bubbler	100	tree	0.25	0.3	14	1	14	8	4102.2	1059.7	
Total Runtime per day									7.8	Hours	Total Montly ETWU				6287.8

## Parkways-Typical

### IRRIGATION SCHEDULE (Monthly Schedule)

PROJECT NAME: Norwalk  
 PROJECT LOCATION: Norwalk  
 TOTAL LANDSCAPE AREA: 3,192 sq. ft.

#### ETo: Los Angeles (available through

jan.	feb.	mar.	april	may	june	july	aug.	sept.	oct.	nov.	dec.	annual
2.3	2.8	3.4	4.3	4.5	4.9	5.6	5.3	4.5	3.5	2.5	2.1	45.6

valve no.	valve size	flow (GPM)	irr. effcy. (IE)	irr. type	area (sq.ft.)	plant type	precip rate (in/min.)	plant factor (PF)	runtime (min.)	nos. of cycle	frequency per week	total monthly (gallons)
-----------	------------	------------	------------------	-----------	---------------	------------	-----------------------	-------------------	----------------	---------------	--------------------	-------------------------

#### IRRIGATION SCHEDULE FOR JAN: (use columns as applicable to the project)

valve no.	valve size	flow (GPM)	irr. effcy. (IE)	irr. type	area (sq.ft.)	plant type	precip rate (in/min.)	plant factor (PF)	daily runtime (min.)	nos. of cycles per day	individ. runtimes (min.)	frequency per month	monthly runtime (min.)	total ETWU Gallons	
1	3/4"	1.6	0.90	subsurface	555	shrub	0.25	0.3	23	1	23	8	180.0	258.1	
2	1"	8	0.80	bubbler	100	tree	0.25	0.3	14	1	14	8	202.5	52.3	
Total Runtime per day									0.6	Hours	Total Montly ETWU				310.4

#### IRRIGATION SCHEDULE FOR FEB: (use columns as applicable to the project)

valve no.	valve size	flow (GPM)	irr. effcy. (IE)	irr. type	area (sq.ft.)	plant type	precip rate (in/min.)	plant factor (PF)	daily runtime (min.)	nos. of cycles per day	individ. runtimes (min.)	frequency per month	monthly runtime (min.)	total ETWU Gallons	
1	3/4"	1.6	0.90	subsurface	555	shrub	0.25	0.3	28	1	28	8	224.0	321.2	
2	1"	8	0.80	bubbler	100	tree	0.25	0.3	14	1	14	8	252.0	65.1	
Total Runtime per day									0.7	Hours	Total Montly ETWU				386.3

#### IRRIGATION SCHEDULE FOR MAR: (use columns as applicable to the project)

valve no.	valve size	flow (GPM)	irr. effcy. (IE)	irr. type	area (sq.ft.)	plant type	precip rate (in/min.)	plant factor (PF)	daily runtime (min.)	nos. of cycles per day	individ. runtimes (min.)	frequency per month	monthly runtime (min.)	total ETWU Gallons	
1	3/4"	1.6	0.90	subsurface	555	shrub	0.25	0.3	34	1	34	8	272.0	390.0	
2	1"	8	0.80	bubbler	100	tree	0.25	0.3	14	1	14	8	306.0	79.1	
Total Runtime per day									0.8	Hours	Total Montly ETWU				469.0

#### IRRIGATION SCHEDULE FOR APRIL: (use columns as applicable to the project)

valve no.	valve size	flow (GPM)	irr. effcy. (IE)	irr. type	area (sq.ft.)	plant type	precip rate (in/min.)	plant factor (PF)	daily runtime (min.)	nos. of cycles per day	individ. runtimes (min.)	frequency per month	monthly runtime (min.)	total ETWU Gallons	
1	3/4"	1.6	0.90	subsurface	555	shrub	0.25	0.3	43	1	43	8	344.0	493.2	
2	1"	8	0.80	bubbler	100	tree	0.25	0.3	14	1	14	8	387.0	100.0	
Total Runtime per day									1.0	Hours	Total Montly ETWU				593.2

#### IRRIGATION SCHEDULE FOR MAY: (use columns as applicable to the project)

valve no.	valve size	flow (GPM)	irr. effcy. (IE)	irr. type	area (sq.ft.)	plant type	precip rate (in/min.)	plant factor (PF)	daily runtime (min.)	nos. of cycles per day	individ. runtimes (min.)	frequency per month	monthly runtime (min.)	total ETWU Gallons	
1	3/4"	1.6	0.90	subsurface	555	shrub	0.25	0.3	45	1	45	8	360.0	516.2	
2	1"	8	0.80	bubbler	100	tree	0.25	0.3	14	1	14	8	405.0	104.6	
Total Runtime per day									1.0	Hours	Total Montly ETWU				620.8

#### IRRIGATION SCHEDULE FOR JUNE: (use columns as applicable to the project)

valve no.	valve size	flow (GPM)	irr. effcy. (IE)	irr. type	area (sq.ft.)	plant type	precip rate (in/min.)	plant factor (PF)	daily runtime (min.)	nos. of cycles per day	individ. runtimes (min.)	frequency per month	monthly runtime (min.)	total ETWU Gallons	
1	3/4"	1.6	0.90	subsurface	555	shrub	0.25	0.3	49	1	49	8	392.0	562.0	
2	1"	8	0.80	bubbler	100	tree	0.25	0.3	14	1	14	8	441.0	113.9	
Total Runtime per day									1.1	Hours	Total Montly ETWU				676.0

02/08/2016



LAWRENCE R MOSS ASLA & ASSOCIATES INC  
 LIC. NO. 1201  
 3458 OCEAN VIEW BLVD  
 GLENDALE CA 91208  
 818 248-5200  
 FAX 248-6574

LANDSCAPE ARCHITECTURE